

# P80SB & P80AIB Addressable Sounder Base and Addressable Sounder VID Base



Sounders are considered as the most important of all the alarm devices. It is a mandatory requirement that sounders are used as an integral part of the fire detection and alarm system.

VIDs are generally used as a supplementary indication to raise situational awareness. But, when an event occurs, they cannot be used as the only means to alert people to a potential hazard.

The P80SB is an addressable sounder base specifically for use with the ZETTLER addressable detectors. The base incorporates a fire alarm sounder that carries its own address so it can be monitored and controlled from the fire alarm control panel, which is independent of the detector fitted to the base. Both power and communications for the sounder and detector are provided by the two-wire digital loop. This helps to reduce installation costs as no additional wiring is required. Additionally, the P80AIB houses an addressable LED beacon to provide a visual indicator otherwise known as a VID.

EN54-23 now provides clarity by standardizing requirements, test methods and performance criteria of Visual Alarm Devices (VADs) and ensures all device parameters are measured in a uniform manner throughout Europe.

## Main Requirements from EN54-23 are:

- The coverage volume (i.e. volume within which required illumination is achieved) must be stated on the product or supporting documentation.
- The VAD should meet the requirement for coverage volume of at least one of the following categories: W (Wall), C (Ceiling), O (Open Class).
- Required illumination of 0.4 lux on a surface perpendicular to the direction of the light emitted from the VAD.
- Rate of flash should be stated between 0.5Hz & 2Hz.
- The devices must be classified as Type A, indoor and Type B, outdoor.

## Features

- A compact and discrete solution
- One point of installation for detector, sounder and visual indicator with no additional wiring
- Reflective Sound Monitoring (RSM)
- Light is electronically monitored by the control panel
- Automatic self-test
- Independent addressable control of the sounder and beacon
- Built-in line isolator
- Select the tone, volume and flash rate using panel configuration software
- 15 selectable tones. Allows users to select the tone with which they are most familiar
- Realistic conventional bell tone
- 4 selectable volumes
- 2 selectable flash rates
- Different tones can be used for fire alarm and class change
- VIDs and sounders are synchronised over the entire loop
- A locking pin supplied with the base which prevents the unauthorized removal of the detector
- Replace legacy LPSB3000 and LPAV3000

## Order Codes

576.080.002	P80SB Addressable Base Sounder
576.080.010	P80AIB Addressable Base Sounder VID
557.080.001	B-CAP Blanking Cap For Sounder / VID / VAD Bases White

## Technical Information

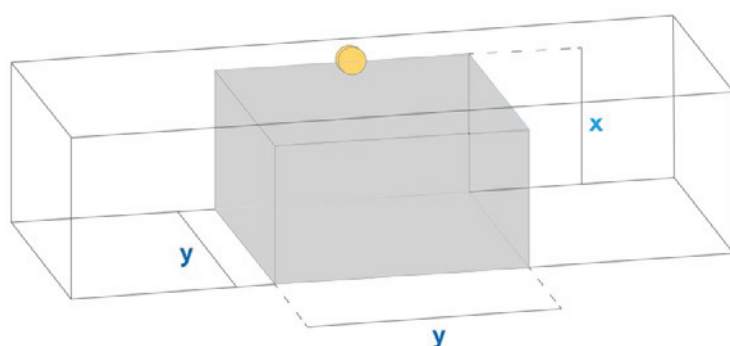
	P80SB	P80AIB
Devices per Loop:	Up to 231 (*)	Up to 149 (**)
Flash Rate:	N/A	0.5 / 1Hz
Dimensions (Diameter x H):	114x45mm	114x45mm
Sound Output @ 1m:	Up to 90dBA	Up to 90dBA
Body Colour:	White	Clear
Flash Colour:	N/A	Red
IP Code:	IP21C	IP21C
Approvals:	EN54-3, 17	EN54-3, 17

(\*) Sounder at high volume, 1 A loop.

(\*\*) Beacon at 0.5 Hz with sounder at high volume, 1 A loop.

Loop quantities are for guidance only and should be verified with the loop calculator.

## Wall Category



### Coverage volume code:

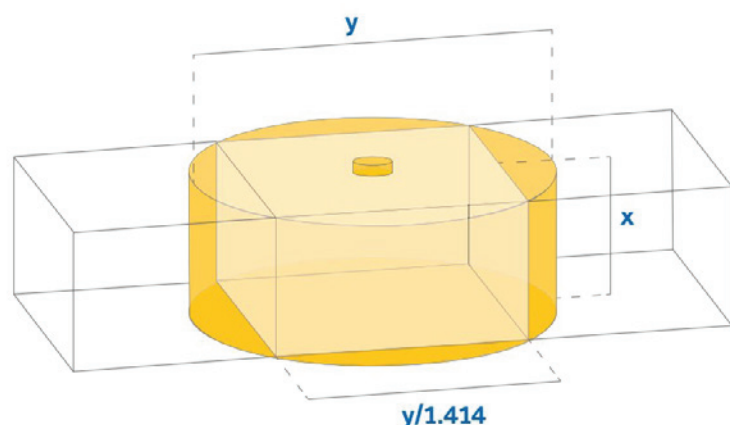
**W – (x) - (y)**

**W = wall mounted**

**x** = maximum mounting height

**y** = length and width in metres of the cubic volume covered (to a minimum level of 0.4 lux) when the device is mounted to the wall at a height of x

## Ceiling Category



### Coverage volume code:

**C – (x) - (y)**

**C = wall mounted**

**x** = maximum mounting height

**y** = diameter in metres of the cylindrical volume covered (to a minimum level of 0.4 lux) when the device is mounted to the ceiling at a height of x

## Open Class Category

The coverage volume and its shape are specified by the manufacturer and include mounting position and orientation alongside any restriction on the mounting height.